

FUEL LEVEL DISPLAY KIT INFORMATION

SEAT Sport informs that on 2015 was offering to all customers a “fuel level display kit” for all cars built on 2014/15 or chassis n° < #098, adding to the car the possibility to control the fuel consumption showing the fuel level on the driver display.

Considering that many customers already have it, **SEAT Sport will not include it on the 2016 transformation upgrade KITS**, so customers have to buy separately.



The SEAT Sport reference is: **5F6298087**

**All cars build up after chassis n° 98 and 2016 with the new FT3 fuel tank are equipped with the “fuel display”.*

Following the information already sent on 2015 and available on the SEAT Sport web site.

FUEL LEVEL DISPLAY INFORMATION

SEAT Sport has developed a fuel display to control the fuel remaining at the fuel tank. This display calculates the remaining fuel by subtracting the fuel consumption sent from the engine ECU. That is why setting the fuel inside the tank after a refuelling is very important.

1. Parts to install

To start using the fuel level display it is necessary to order the following kit:

Reference	Description	Price
5F6298087	Fuel display kit	310€

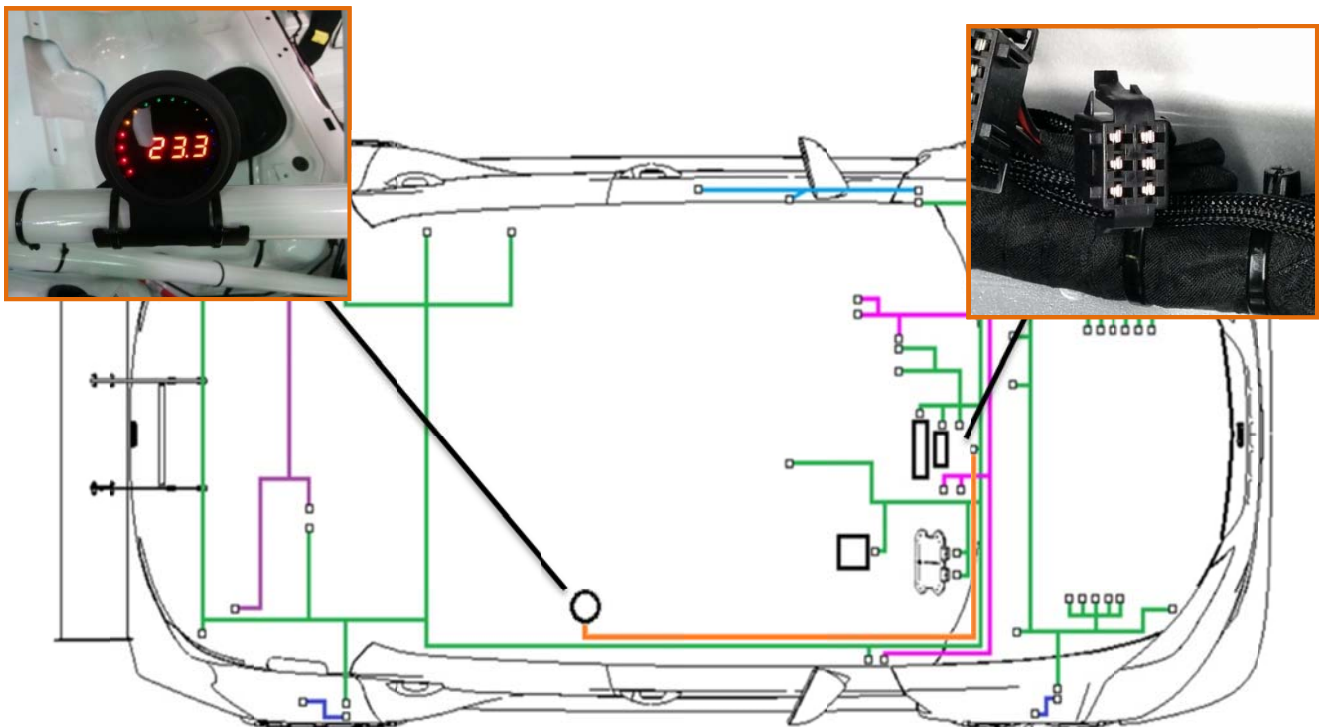
This kit includes the following parts:

Reference	Description	Units per car
8S6907502	LEVEL SENSOR	1
5F6907545	GROMMET	1
5F6971289	HARNESS SELF-LEVEL	1
VN0004500900	NYLON BLACK CLAMP 4,8x360	2



2. How to install

- Fix the display to the support.
- Fix the support to the roll cage in the desired location.
- Connect the fuel display wiring loom to the fuel level display and to the 6 pin "Fuel consumption display and TCR Scrutineering EVO4 logger" connector placed in the tunnel under the dashboard.



TECHNICAL NOTE 03/2016

- Download the AiM MXG configuration for fuel display from SEAT Sport website and transmit it to your dashboard datalogger:

<http://www.seat-sport.com/seat-leon-cup-racer/>

3. User manual

Characteristics of the display:

- There is a light sensor for automatic brightness trimming.
- Two sensitive zones below the four digits allow menu navigation.
- It is important not to touch the front panel when it is switching on due to the initial capacitance setting during start-up.
- Also take special care wiping with hand the front panel if device is switched on.
- Electrostatics charge could affect the sensitive touch and set undesired actions.



Menu Description:

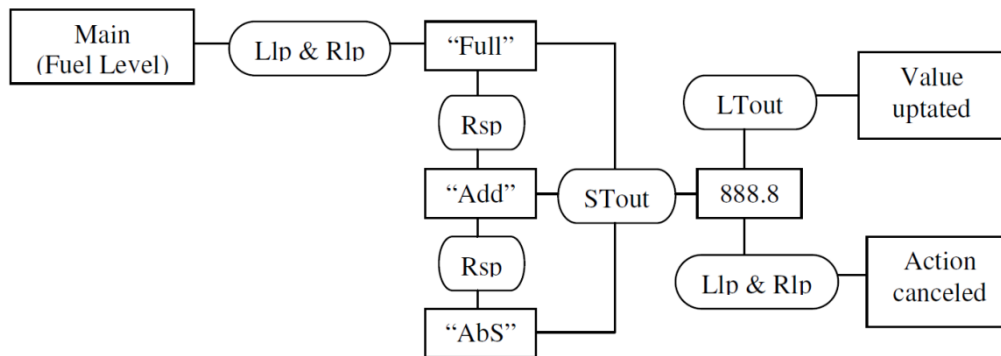
Following, the description of the different possible actions on the display:

- Lsp: Left short push
- Rsp: Right short push
- Llp: Left long push (>1s)
- Rlp: Right long push (>1s)
- STout: Short Timeout (1s)
- LTout: Long Timeout (8s)

Fuel level adjustment:

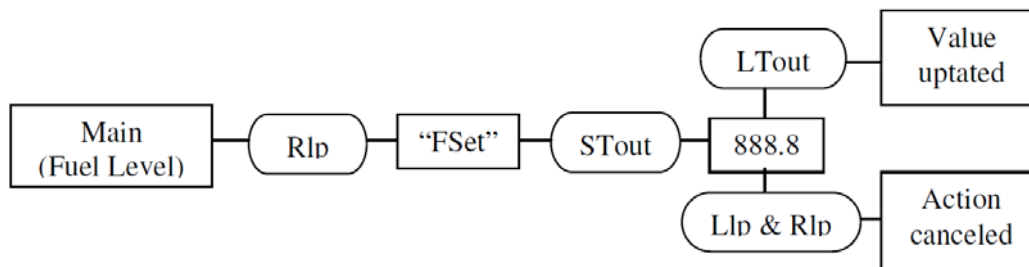
This menu allows the following possibilities:

- Set fuel level to full tank value.
- Add/Remove a fuel quantity to the actual value.
- Set an absolute quantity (litres without decimal).
- When the value is shown (and blinking), a right short push increases this value litre by litre and a left short push decreases this value.
- Maintaining right/left long push, the value is increased/decreased 10 litres by 10 litres.



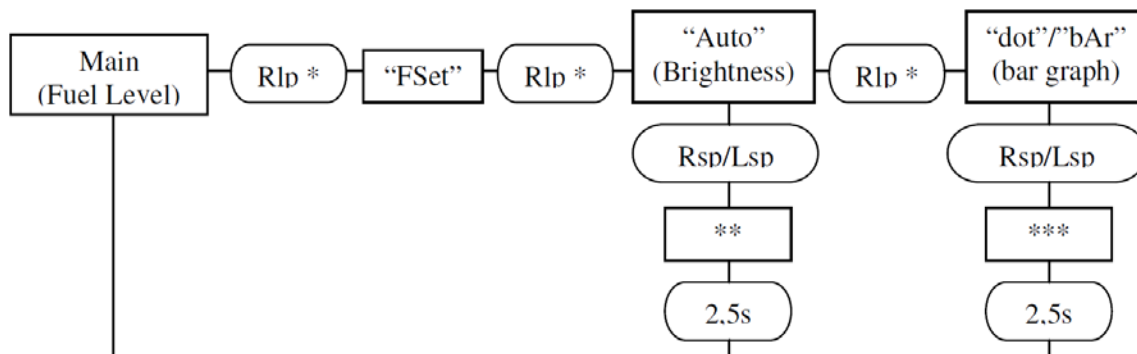
Set "Full" level value:

This menu allows setting the maximum tank level or pre-defined fuel level.



Brightness and bar graph set:

It is possible to modify the brightness and bar graph settings.



- * Long left push will scroll menu on the other side.
- ** "Auto" will adjust automatically the brightness. Else, use right/left touch to increase/decrease light level.
- *** "dot" mode will light on only one led on the bar graph. "bAr" mode will light on all led from the left side up to the level point. Note that the last led match with the Full value set.



SEAT LEON CUP RACER 2016

TECHNICAL NOTE 03/2016

For technical issues you must contact with:

Aitor Lago Silvestre
Technical Department
E-mail: extern.Aitor.Lago@seat.es
SEAT Sport, S.A.